

SMD TYPE

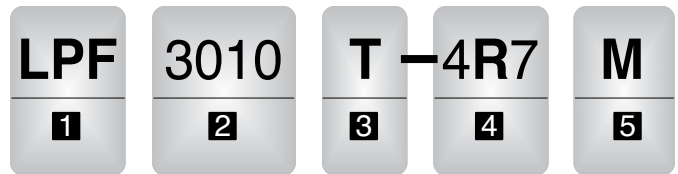
FEATURES

- LPN series:
Small size wound chip inductor with DC resistance
These parts can be used in high-density mounting configurations.
- LPF series:
Low profile, low DC resistance, and high current handling capacities.
Because they are magnetically shielded
- LPL series:
This is a Low DC resistance, best for the power supply line.
There is a series of many types from low inductance to high inductance in large current.
- LPM series:
Low profile, high current, and low resistance.
The low profile makes the inductor particularly optimal for power circuit applications requiring low voltages and high current.

APPLICATION

Mobile phone, Desk top PC, Note PC, Back Light, HDD, DC-DC converter and other electronic equipment.

ORDERING CODE



1 Part name
LPF

2 Dimensions(mm)
L×W×H: 2.8×2.8×1.0

5 Inductance Tol. (%)	
J	± 5
K	± 10
M	± 20
N	± 30

3 Packing style	
T	Taping
B	Bulk

4 Inductance value[μH]	
4R7	4.7
100	10
680	68
101	100
102	1000
472	4700

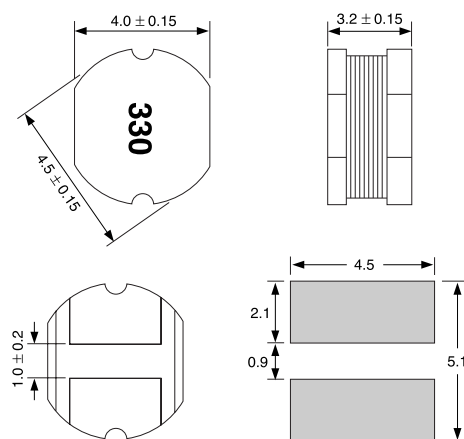
LPN4532 SERIES

SMD Nonshielded type

SHAPES & DIMENSIONS

RECOMMENDED PCB PATTERN

(Dimensions in mm)



ELECTRICAL CHARACTERISTICS

Ordering Code	Inductance (μH)	Inductance TOL.(%)	Test Freq. (KHz)	DC Resistance (Ω)Max	Rated Current(A)
LPN4532T-1R0M	1.0	± 20	100	0.048	2.7
LPN4532T-1R5M	1.5			0.056	2.6
LPN4532T-2R2M	2.2			0.071	1.9
LPN4532T-3R3M	3.3			0.086	1.7
LPN4532T-4R7M	4.7			0.108	1.5
LPN4532T-6R8M	6.8			0.131	1.3
LPN4532T-100K	10	± 10		0.182	1.1
LPN4532T-150K	15			0.235	0.85
LPN4532T-220K	22			0.378	0.68
LPN4532T-330K	33			0.540	0.56
LPN4532T-470K	47			0.844	0.44
LPN4532T-680K	68			1.117	0.37

TEST EQUIPMENTS

- Inductance: Agilent 4284A LCR Meter (100KHz 0.5V)
- Rdc: HIOKI 3540 mΩ HiTESTER
- Bias Current: Agilent 4284A + Agilent 42841A
- Inductance drop = 10%typ. at rated current

OPERATING TEMPERATURE RANGE

-20 ~ +85°C (Including self-generated heat)